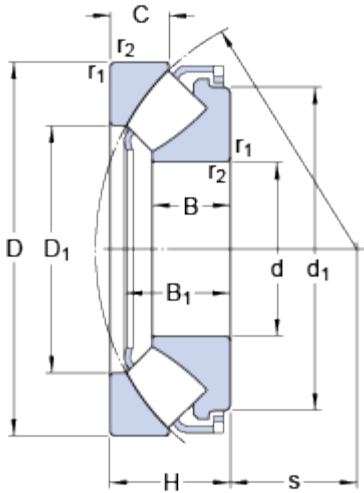


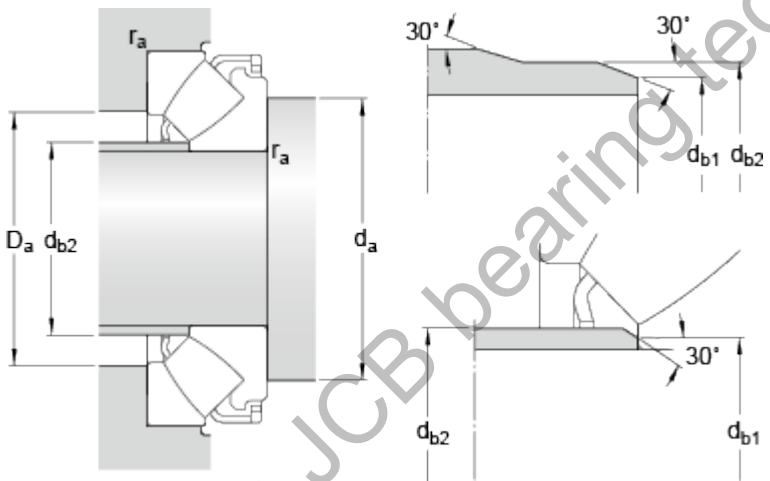
# 29415EX

## Dimensions



d	75	mm
D	160	mm
H	51	mm
d <sub>1</sub>	≈ 138	mm
D <sub>1</sub>	≈ 106	mm
B	33.5	mm
B <sub>1</sub>	45.7	mm
C	24.5	mm
s	47	mm
r <sub>1,2</sub>	min. 2	mm

## Abutment dimensions



d <sub>a</sub>	min. 115	mm
d <sub>b1</sub>	max. 82.5	mm
d <sub>b2</sub>	max. 82.5	mm
D <sub>a</sub>	max. 133	mm
r <sub>a</sub>	max. 2	mm

## Calculation data

Basic dynamic load rating	C	600	kN
Basic static load rating	C <sub>0</sub>	1430	kN
Fatigue load limit	P <sub>u</sub>	173	kN
Reference speed		2400	r/min
Limiting speed		4000	r/min
Minimum axial load factor	A	0.19	

## Mass

Mass bearing		4.7	kg
--------------	--	-----	----